

IN PHASE..



IPS 150BTi
USER MANUAL

Main Features



AM & FM Band With 30 Preset Stations



EQ Sound Control



Support MP3/WMA Format



Support USB/SD Interface



Support RDS Function



Support Mobile App Operation



LCD Display



Digital Electronic Volume



RCA Output



AUX In



Bluetooth Function



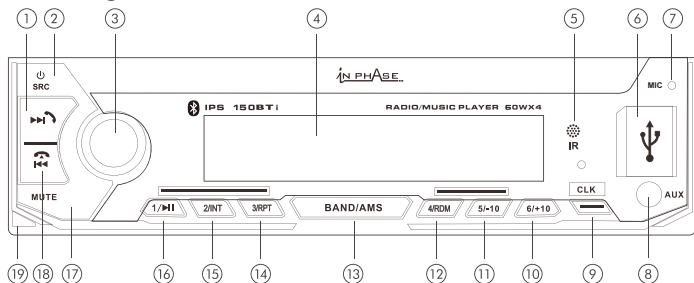
DSP Function SUB Output function

Contents

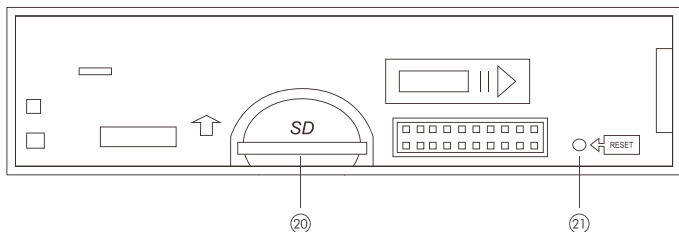
Introduction - Panel Functions and Buttons	04
Basic Operation	05
Basic RDS Operation	10
Bluetooth Operation	11
Function Operation of Remote Control	12
Precautions	14
Installation Diagram	14
Technical Parameters	15

Introduction - Panel Functions and Buttons

Panel Diagram and Functions



Base Position and Name



- ① Skip Forward/Next Station/Next Option /Answer Button
- ② Power/Mode Button
- ③ Volume Control/Menu Scroll
- ④ Display Screen
- ⑤ Infrared Remote-Control Receiver
- ⑥ USB Socket
- ⑦ Bluetooth Microphone
- ⑧ Aux Socket
- ⑨ Clock Button
- ⑩ Figure 6/Forward +10 Songs Button
- ⑪ Figure 5/Backward -10 Songs Button
- ⑫ Figure 4/Random Play Button
- ⑬ Band Switching/Automatic Lock Button
- ⑭ Figure 3/Repeat Play Button
- ⑮ Figure 2/Browse Play Button
- ⑯ Figure 1/Pause Button
- ⑰ Mute Button
- ⑱ Skip Back/Previous Station/Previous Option /Hang up Button
- ⑲ Front Panel Eject Button
- ⑳ SD Slot
- ㉑ Reset Switch

① Search Broadcasting Station Forward/Select Songs Forward/Answer Button (▶▶↻)

1. The broadcasting station can search forward after pressing this button in the reception mode, the broadcasting station can search forward after holding down this button, & the station storage can be preset after pressing the button 1 to 6 after the station stops.
2. Can be used to forward the song selection after pressing this button in the MP3 playing state. Hold down this button for fast forward playback function.
3. After the mobile phone Bluetooth is connected, the call can be answered after pressing this button when there is an incoming call. In Bluetooth mode, hold down this button to redial the last phone number.

② Power Switch/Mode Switch Button (⏻ SRC)

1. Press this button for startup and hold down this button for shutdown whilst the unit is powered on.
2. It is the mode switch function (RADIO/USB/SD/AUX/BT) after pressing this button in the startup state.

③ Volume/Menu Button (VOL/SEL)

1. In the reception and playback state, turn the volume knob to adjust the volume. Turn it clockwise to increase the volume and anticlockwise to decrease the volume.
2. In the reception and playback state, press the volume knob to enter: BAS (bass), TRE (treble), BAL (balance), FAD (fader), EQ OFF (sound effect), LOUD OFF (equal loudness), CLOCK24/12 (24-hour/12-hour system), STEREO/MONO (radio stereo/force mono), DX/LOC (long/short range), and AREA EUR/USA (European/USA standard) function options, and adjust the volume knob to select.
(Note: In case of the selection of the "DSP USER" function (audio setting customization) in the EQ (sound effect) option, there is a corresponding frequency display for audio setting, which can be completed with the SEL button and VOL button.)

- In the reception and playback state, this button can be held down and then pressed several times to enter: AF ON (broadcasting station with the transmitting frequency meter), TA OFF (traffic news), TAVOL 25 (traffic message volume), REG OFF (region selection), EON ON (other broadcasting station information), and SEL PTY (radio program type selection) functions, the corresponding function can be selected by adjusting the volume knob.

④ Display Screen

Display the reception frequency and current play information.

⑤ Infrared Remote-Control Receiving Window (IR)

It is used to receive the command sent from the remote control.

⑥ USB Socket (USB)

After the USB flash disk is inserted, the music is then played automatically.

⑦ Bluetooth microphone (MIC)

The sound during the call via Bluetooth will be received from here.

⑧ AUX-IN jack (AUX)

It is used to connect the external audio signal.

⑨ Time Button (CLK)

- In the startup state, the "CLK" button can be pressed to display the time; In the time display state, the clock adjustment setting can be entered after holding down the "CLK" button, and the value can be selected in cooperation with the volume knob. At the same time, the hour / minute can be switched after pressing the "CLK" button. After the adjustment is completed, the "CLK" button can be held down to exit the setting, or automatically confirm the time and exit the setting after stopping the operation for 5 seconds.

Point 9 continue reading on the next page...

2. In the reception and DAB mode, the time and current playback information can be displayed after pressing the "CLK" button several times.

⑩ Figure 6/Forward + 10 Songs Button (6/+ 10)

1. Press this button to play the pre-store "6" broadcasting station under the reception state, and hold down this button for 2s to save the broadcasting station currently playing as "6" broadcasting station.
2. Under the MP3 play state, the forward + 10 songs selection play can be activated after pressing this button, and the forward selection folder play can be activated after holding down this button.

⑪ Figure 5/Backward -10 Songs Button (5/-10)

1. Press this button for playing the pre-store "5" broadcasting station under the reception state, & hold down this button for 2s to save the broadcasting station currently playing as "5" broadcasting station.
2. Under the MP3 play state, the backward - 10 songs selection play can be activated after pressing this button, and the backward selection folder play can be activated after holding down this button.

⑫ Figure 4/Random Play Button (4/RDM)

1. Press this button for playing the pre-store "4" broadcasting station under the reception state, and hold down this button for 2s to save the broadcasting station currently playing as "4" broadcasting station.
2. Under the MP3 play state, this button can be pressed for random play, and it can be pressed again to restore sequential play.

⑬ Band Switching/Automatic Lock Button (BAND/AMS)

1. The band switching (FM1-FM2-FM3-AM1-AM2) can be done after pressing this

Basic Operation

button under the reception, the broadcasting station can be searched automatically after holding down this button, and the searched broadcasting station will be stored in the preset buttons 1-6 in order. The radio program stored in the first preset button will be played automatically after the broadcasting station is searched. 6 broadcasting stations can be stored for each band, meaning a total of 30 broadcasting stations can be stored.

2. Under the MP3 play state, this button can be held down to enter the digital song selection function, the songs can be selected by adjusting the volume knob, and the songs can be confirmed and played after pressing the volume knob.

14 Figure 3/Repeat Play Button (3/RPT)

1. Press this button for playing the pre-store "3" broadcasting station under the reception state, and hold down this button for 2s to save the broadcasting station currently playing as "3" broadcasting station.
2. The single repeat play can be activated under MP3 play state after pressing this button, and the single repeat play function can be canceled after pressing this button again.

15 Figure 2/Browse Play Button (2/INT)

1. Press this button for playing the pre-store "2" broadcasting station under the reception state, and hold down this button for 2s to save the broadcasting station currently playing as "2" broadcasting station.
2. Under the MP3 play state, the MP3 song browsing function can be activated after pressing this button, it will be automatically turned to the next song after each song is played for 10 seconds, and the sequential play will be resumed after pressing this button again.

16 Figure 1/Pause Button (1/||)

1. Press this button for playing the pre-store "1" broadcasting station under the reception state, and hold down this button for 2s to save the broadcasting station currently playing as "1" broadcasting station.

Point 16 continue reading on the next page...

2. The pause can be activated under MP3 play state after pressing this button, and the pause function can be canceled after pressing this button again.

⑰ Mute Button (MUT)

The mute function can be activated under the startup state after pressing this button, and the mute function can be closed after pressing this button again.

⑱ Search Broadcasting Station Backward/Select Songs Backward/Hang-up Button ()

1. The broadcasting station can be searched backwards after pressing this button in the reception mode, the broadcasting station can be searched backward after holding down this button, and the station storage can be preset after pressing the button 1 to 6 after the station stops.
2. Can be used for backward song selection after pressing this button in the MP3 playing state. Hold down this button for fast backward playback function.
3. After the mobile phone Bluetooth is connected, the call can be hung up after pressing this button when there is an incoming call or during the call.

⑲ Panel Removal Button

The front panel can be removed after pressing this button, and then the operation of inserting or removing SD card, or system reset can be carried out.

⑳ SD Slot (SD)

After the SD card is inserted, the music will play automatically.

㉑ Reset Button

In case of an error with the kit, the system can be reset by pressing the button inside with a hard object. After reset, the kit needs to be restarted for operation.

1. AF Function

When starting the kit for the first time, its system will default to be in the RDS (AF) tracking and station selection state automatically; In case the broadcasting station of FM band is needed, RDS (AF) function must be closed at first, otherwise, FM band will not receive the broadcasting station.

Method for switching On/Off AF: hold down "SEL" button to select AF ON at first, and select AF OFF by rotating volume knob.

2. REG Function

The "REG OFF" state will be entered by pressing "SEL" button after holding down such button whilst the kit is powered, then whether to open area selection will be selected by volume knob.

3. TA Function

The "TA OFF" state will be entered by pressing "SEL" button after holding down such button whilst the kit is powered, then select to open "TA ON" by regulating the volume knob, and the traffic information can be played automatically.

4. TA Volume Selection Function

The "TA VOL" state will be entered by pressing "SEL" button after holding down such button whilst the kit is powered, then the volume of TA function can be selected by volume knob.

5. EON Function

The "EON" state will be entered by pressing "SEL" button after holding down such button under any condition of the powered kit, then whether the to display the information of other broadcasting stations will be selected by volume knob.

6. PTY Function

The "SEL PTY" selection state will be entered by pressing "SEL" button after holding down such button whilst the kit is powered and can receive reception, then, the type of broadcasting station program will be selected with "volume +" and "volume -" buttons.

Bluetooth operation

1. Matching between phone and kit

The mobile phone should be close to the kit first, then turn on the Bluetooth function of the mobile phone, and then the Bluetooth name " CarBT " of the kit shall be found and connected through the mobile phone, some mobile phones need to enter a password (the password is "1234"). When the "Ding Dong" sound is heard, it indicates that the kit has successfully connected to the mobile phone via Bluetooth.

2. Dialing via Bluetooth

When the Bluetooth connection is completed, the "BT" state can be switched after pressing the "MODE" button. At this time, hold down the " ►► " button on the panel to redial the last phone number, or make a call through the mobile phone.

3. Answering calls via Bluetooth

When the Bluetooth connection is completed, and there is an incoming call, it can be answered by pressing the " ►► " button on the panel. In order to switch the voice, hold down the " BAND/AMS " button on the panel to switch the call between the mobile phone and the kit. After the call is over, press the " ◀◀ " button on the panel to end the call.

4. Playing music via Bluetooth

When the Bluetooth connection is completed, the "BT" mode can be switched after pressing the "MODE" button, the music in the mobile phone can be played after the music player is opened and the " 1/▶ " button on the panel is pressed, and the pause can be activated after pressing this button again. The music can be repeated after pressing the " ►► " button on the panel, and the music can be forwarded after pressing the " ◀◀ " button on the panel

Function Operation of Remote Control

1. DSP Function Operations

1. It is the (audio setting customization) function after pressing this button in the startup state, the kit will display "DSP USER" in English at first, and then display the frequency. After that, a frequency is switched after pressing this button every time, and the volume button is adjusted for personalized setting at the same time.
2. In the startup state, the audio setting can be reset after holding down this button, the kit will display "DSP RESET" in English, the original sound effect will be cleared, and the user can personalize the audio again.

2. Bluetooth Phone Operations

1. When there is an incoming call, the call can be answered after pressing "📞" button, and it can be rejected after pressing "📞" button.
2. In Bluetooth mode, press the "📞" button to enter the dialing interface, and press the "📞" button again to make a call after pressing the phone number. Hold down this "📞" button to redial the last phone number.

3. PTY Function Operations

In the FM mode, press this button to enter the program type selection interface, and press the volume button to select different types of broadcasting stations for listening. After the selection, press "SEL" to confirm to enter the search. When the search is completed, the corresponding broadcasting station will be played automatically.

Function Operation of Remote Control



1. Power Button
2. Mode Switch Button
3. "Select Songs Backward"/ "Search Broadcasting Station Backward" Button
4. Audio Setting Button
5. Sound Effect Button
6. Band Switch/Automatic Search and Station Storage Button
7. Hang-up button
8. 1/ Pause Button
9. 2/ Browse Play Button
10. 4/ Random Play Button
11. 5/ Backward -10 Songs Button
12. 7/ PTY Function Button
13. 8/ AF Function Button
14. Mute Button
15. Volume + Button
16. "Select Songs Forward"/ "Search Broadcasting Station Forward" Button
17. Menu Button
18. Equal Loudness Button
19. Volume - Button
20. Time button
21. Answer button
22. * Button
23. 3/ Repeat Play Button
24. # Button
25. 6/ Forward +10 Songs Button
26. 0 Key
27. 9/ TA Function Button

Precautions

1. When the protective tube needs to be replaced, the protective tube of the same specification should be used and the random substitution isn't allowed.
2. The wires must be correctly connected according to the wiring diagram to ensure the normal operation of the machine.

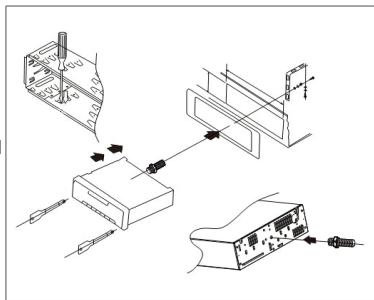
Installation Diagram

Installation of this product should be carried out by an experience technician. Please seek professional installation services if you are not experienced with car electronics.

1. Place the kit according to the assembly position before installing the kit. Connect the corresponding speaker cable & power cable for trial listening.
2. The kit can be fixed after the kit running effect is satisfactory.

Install the Stereo

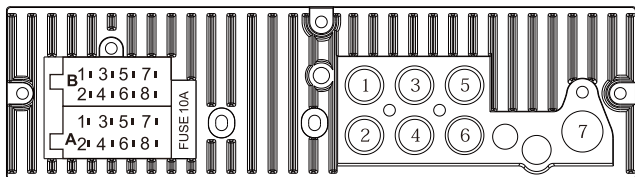
1. Place the holder on the dashboard and then bend certain snapping components by force;
2. Connect with the power-supply cable and speaker wires and then attach the fixing tag to the automobile;
3. Slide the main part into the holder and then tighten the nuts on the fixing tag.



Dismantle the Stereo

Insert two disassembly keys into the left and right side of the gap at the same time, so that the disassembly keys hook the host, gently pull out, you can remove the kit from the bracket, and then remove the connecting line and unplug the antenna plug

Technical Parameters



A1		B1 :Purple	Rear right speaker+	1. Left RCA output 1 (white)
A2 :N/O		B2 :Purple-Black	Rear right speaker-	2. Right RCA output 1 (red)
A3 :N/O		B3 :Grey	Front right speaker+	3. Left RCA output 2 (white)
A4 :Yellow	Battery +	B4 :Grey-Black	Front right speaker-	4. Right RCA output 2 (red)
A5 :Blue	Antenna out	B5 :White	Front left speaker+	5. SUB output 1(green)
A6 :N/O		B6 :White-Black	Front left speaker-	6. SUB output 2 (green)
A7 :Red	ACC (Connect to ignition switch)	B7 :Green	Rear left speaker+	7. Socket of reception antenna
A8 :Black	GND (Connect to battery-)	B8 :Green-Black	Rear left speaker-	

FM Part

Frequency Range: 87.5 MHz-108 MHz

Noise Limited Sensitivity: $\leq 37\text{dBf}$

Signal-To-Noise Ratio: $\geq 40\text{dB}$

Frequency Stepping: 0.05MHz

AM Part

Frequency Range: 522KHz -1620KHz

Noise Limited Sensitivity: $\leq 40\text{dBf}$

Signal-To-Noise Ratio: $\geq 34\text{dB}$

Frequency Stepping: 9KHz

MP3 Playing Part

Frequency Response: 100Hz 10000Hz ($\pm 5\text{dB}$)

Signal-To-Noise Ratio: $\geq 45\text{dB}$

Channel Separation: $\geq 30\text{dB}$

Voltage Harmonic Distortion: (1kHz) $\leq 5\%$

Balance of Playback Stereo Channel: $\leq 3\text{dB}$

General Index

Supply Voltage: DC12V

Loudspeaker Impedance: 4-8 Ω

Rated Output Power: 25WX4 Channel

Dimension: 178mm x 50mm x 100mm
(Width) x (Height) x (Depth)