

**iN PHASE..**

**XTB-8A**

**User Manual**

# Class-D Mono Active Compact Subwoofer

Thank you for your purchase of the In Phase XTB-8A, this is an active Subwoofer System designed to produce deep accurate powerful bass in a compact MDF Ported enclosure.

We recommend moderate volume levels for safety and to prevent damage to your hearing. In Phase accept no liability for loss of hearing, bodily injury or property damage resulting from incorrect installation and improper use of your In Phase XTB-8A

Playing loud music in your vehicle can hinder the ability to hear traffic from outside your vehicle, we recommend that you do not play your music too loud so you cannot hear safely what is happening outside of the vehicle, you can also permanently damage your hearing.

To optimize performance, it is crucial to engage in proper system planning. Carefully plan your installation to avoid compromising the system's reliability. Before operating the XTB-8A thoroughly read this manual and, if needed, consult an authorised In Phase dealer for installation.

## Before you start your installation

During installation and wiring connection, observe the following safety precautions:

- Read the vehicle handbook and if safe to do so, disconnect the negative terminal of the battery.
- Ensure that all drilling holes are positioned away from vehicle components to prevent any damage.
- If the positive and negative cables are too long, ensure that their cross-section is no less than  $2.5\text{mm}^2/10\text{AWG}$ . These then can be cut to size as required.
- Incorrect installation may lead to the XTB-8A malfunctioning or issues with the sound system.
- Choose a dry and well-ventilated location to install the XTB-8A.
- Avoid installing the XTB-8A on the rear shelf, rear seats, or exposed areas.
- Ensure that the installation location provides airflow to the amplifier, is suitable for screw holes and has a stable ground support.

## **Integrated fuse**

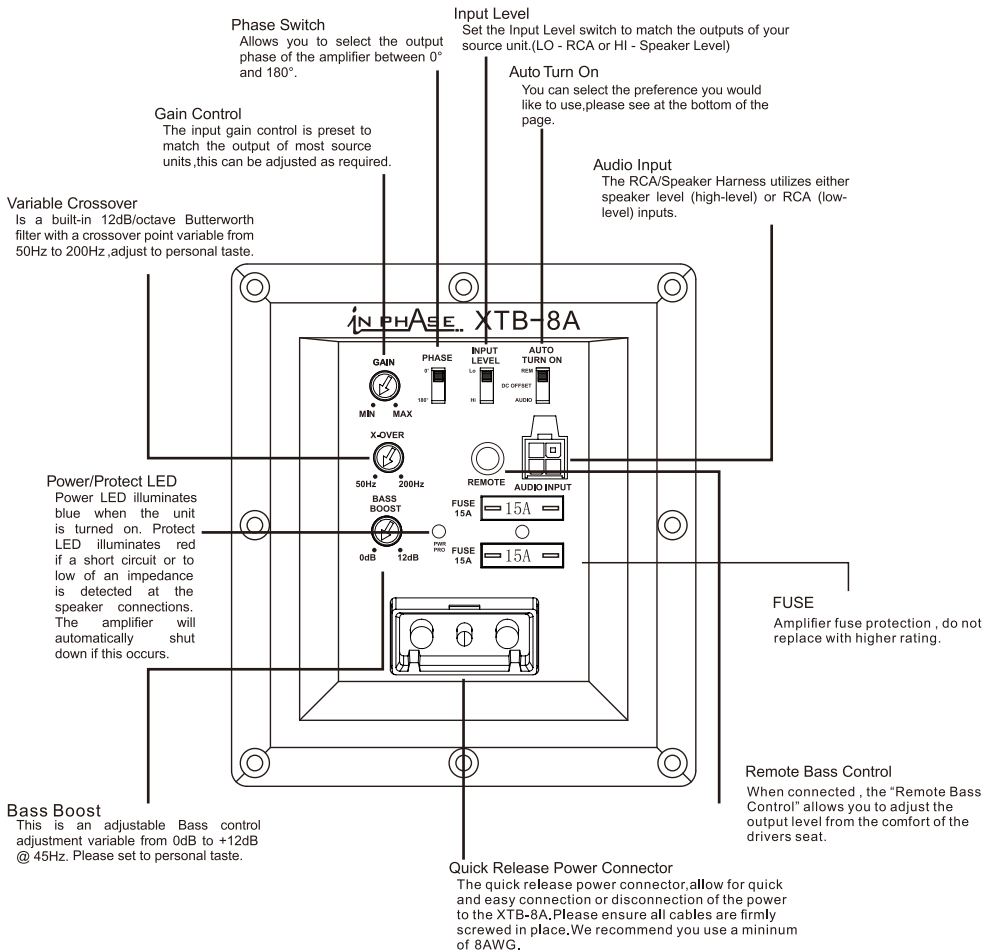
The XTB-8A includes an integrated fuse to protect the output voltage and the entire electrical system in case of malfunction. Never replace a damaged fuse with a higher current rating.

## **Power on/off**

The XTB-8A can be controlled using either the right or left channel, as the low-frequency portion of the music is typically identical on both channels. The normal method is to connect the remote turn-on which is part of the amplifier wiring.

The XTB-8A will automatically turn on if an audio signal is detected, and it will also automatically turn off if no audio signal is received within a certain period without any notice.

# Functions Controlling Diagram



## Auto turn On;

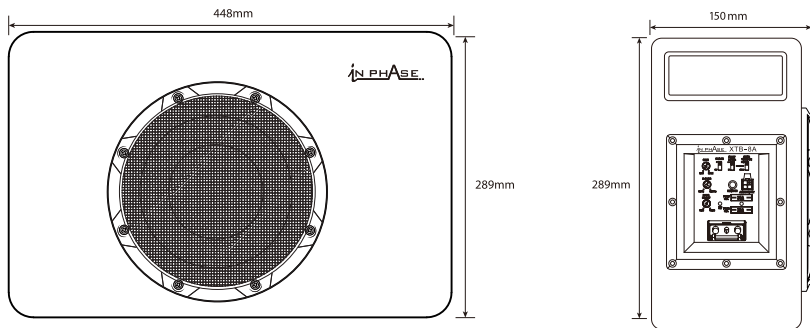
You can have three different ways the XT B-8 A can operate in your installation, please selection the option which will suit you best:

**REM-** use this setting if you are wiring a remote on/off feed to the XT B-8 A, this will mean the XT B-8 A will only operate when you switch on your audio source. (Recommended).

**DC Offset-** use this setting if you are not wiring a remote on/off to the XT B-8 A, this will mean that the XT B-8 A will have constant power and will operate when you turn on your audio source.

**AUDIO-** use this setting if you want the trigger to be the audio source speaker output to trigger the on/off of the XT B-8 A

# Specification



## Subwoofer

- Max. Output Power : 600W
- Speaker Size : 8.0"
- Cone Composition : Fiberglass, Paper Cone, Rubber Surround
- Magnet Type : Ferrite
- Wired Remoted : Included
- Enclosure Housing Material : MDF
- Enclosure Dimension (LxWxH) : 448 x 289 x 150mm
- Enclosure Net Weight : 9.7kg

## Amplifier

- Amplifier Technology : Class D
- Normal Output Power (RMS) : 300W
- Max. Output Power : 600W
- Sensitivity (In Car/1W) : 88±3dB
- Signal / Noise Ratio (dB) : 70dB
- Impedance : 0.25 ohms
- Frequency Response : 25Hz – 200Hz
- Low Pass Filter (LPF) : 50Hz – 200Hz
- Voltage : 10.5V-16V
- Phase Switch : 0 deg / 180 deg
- Automatic On/Off : 10mV
- Audio in Sensitivity : RCA Low Level Input (V)  
RCA : 120mV - 5000mV

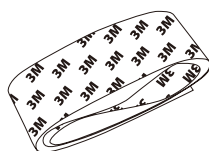
## Accessories



4x Screws  
(4x25mm)



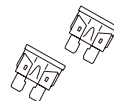
10x Screws  
(3x10mm)



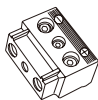
1x Double sided  
sticky velcro



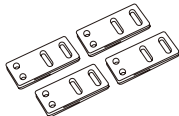
1x Hex Key



2x 15A Fuse



1x Quick Release  
Power Connection



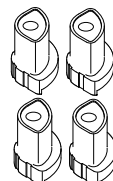
4x Steel Brackets



1x Wired Remote  
(3.5m)



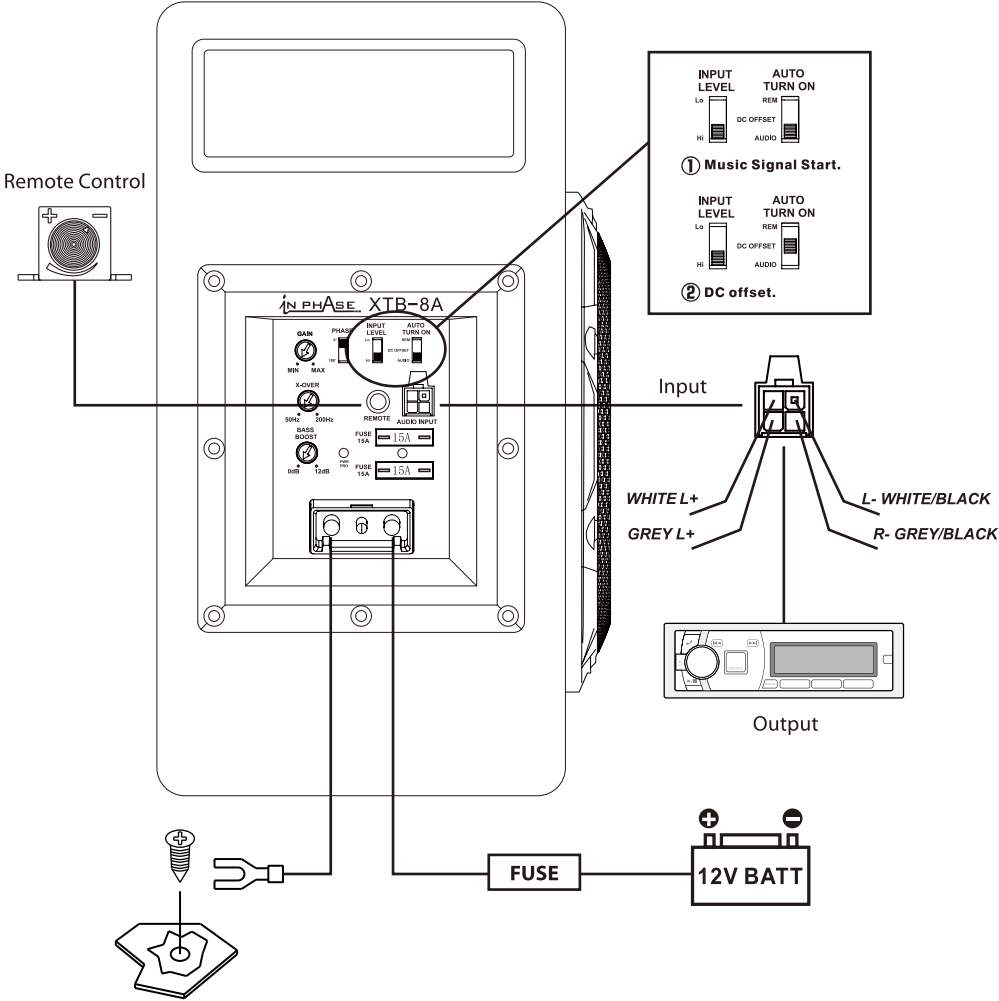
1x Signal Input  
RCA Pair



4x Install Feet

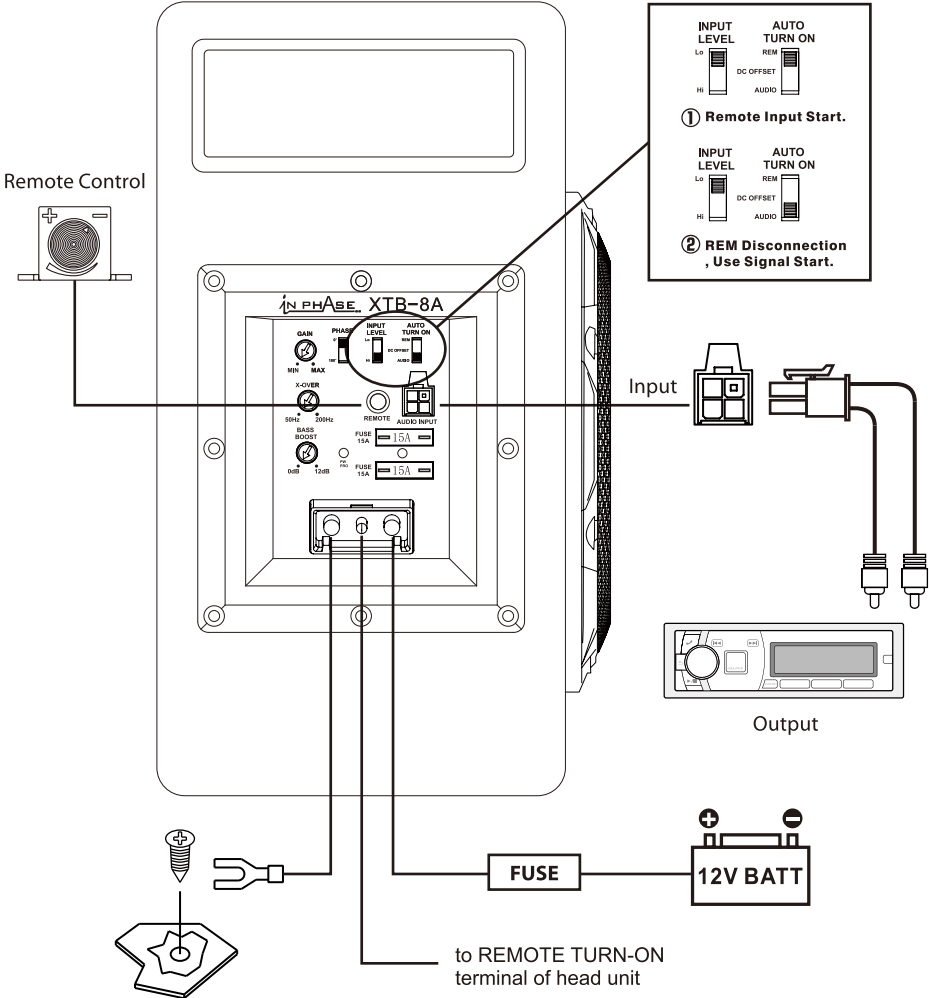
# Wiring Diagram

Fig.1 High level input.



# Wiring Diagram

Fig.2 Low level input.



# Installation

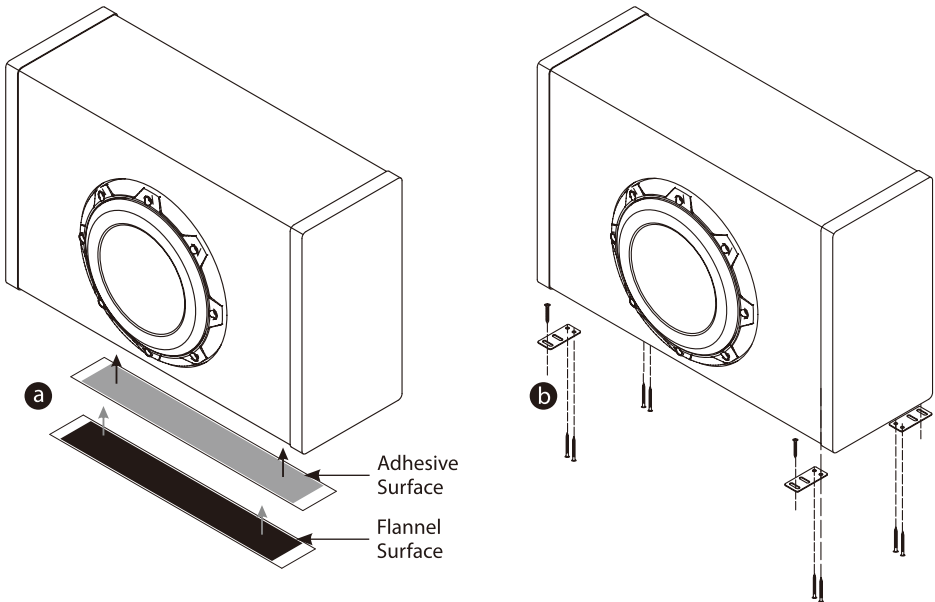
Select an ideal installation location to install the subwoofer. It can be installed by using magic sticker or iron sheets.

**a) Double Sided Sticky Velcro;**

Remove the plastic protective film of the sticky tape of the Velcro. Then attach this to the bottom of the XTB-8A. In some instances you can also staple this if preferred. Then match this position to the opposite area and attached the other piece of the Velcro to the area you will fix the XTB-8A too.

**b) Steel Brackets**

Fix the attached iron sheets to the bottom of the subwoofer by using (4x25mm) screws and (3x10mm) screws.



# Troubleshooting

If any of the following problem occur, please resort to Troubleshooting for the possible solutions. Consult Blaupunkt authorized dealer if problem persist.

<b>Problem</b>	<b>Solution</b>
Amplifier power-up failure	Check if the ground connection is intact.
	Check if remote input has at least 5V DC.
	Check if battery power is connected correctly to the + terminal.
	Ensure supplied voltage is minimum 12V.
	Check if fuse is broken and replace if necessary. Restart the device if protection LED light is on.
Protection LED lights on when turn on	Check speaker wire had short-circuit.
	Turn volume down from head unit to prevent overdriving the device.
	Device might need service or repair, if protection LED light is still on after resetting the device.
No sound output	Check fuses and replace if necessary.
	Check ground connection is intact.
	Check if remote input has at least 5V DC.
	Check if RCA audio cables are connected to the right inputs.
	Check if speaker wiring is intact.
Low sound output	Reset Level Control
	Check the Crossover Control setting.
Buzzing noise	Observe if the device is still producing noise after turning on and off the amplifier. If yes, examine if the cables are correctly connected and if the cables and radio are in good condition. Repair or replace if the cables or the radio are not in good condition.
Squealing noise interference	Ensure RCA connections are properly connected.
Distorted sound output	Ensure input level of the device matches the signal level of the head unit.
	Always set the input level to the lowest.
	Check if crossover frequency is set correctly.
	Check if speaker wire had short-circuit.
Amplifier temperature increased	Check the minimum speaker impedance for the amp models is correct.
	Ensure good air ventilation around the device. Add external cooling fan if necessary.
Engine noise (static sound)interference	Usually caused by poor RCA cable quality, which release noise. Use only the best quality cables, and route them away from power cables.
Engine noise (alternator whine) interference	Check if RCA cable are nowhere near or attached to the vehicle chassis.
	Check if head unit is properly connected to the wires.

In Phase International Ltd  
DB House, Rani Drive,  
Nottingham NG5 1RF